

**NON-STRUCTURAL PARAPET TABLE OF CONTENTS**

Non-Structural Parapet System Information And Specifications:..... 2

NP0002PE - Non-Structural Parapet Standard Color Definition ..... 3

NP0004PE - Structural Parapet Standard Color Definition ..... 4

    NP0010PE – Non-Structural Parapet System Information ..... 5

Standard Non-Structural Parapet Trim Details ..... 6

    DF0050 – Non-Structural Rake Parapet W/ Back Panel ..... 6

    DI0130 – Non-Structural High Eave Parapet ..... 7

    EF6090 – Non-Structural Rake Parapet W/ Back Panel (Purlin)..... 8

    EI6070 – Non-Structural High Eave Parapet..... 9

    HL0010 – Cap Trim at Corner ..... 10

Termination Details With BackerPanel ..... 11

    HL0020 – Classic Wall Panel..... 11

    HL0030 – Accent Wall Panel ..... 12

    HL0040 – Reverse Classic Wall Panel..... 13

Termination Details Without Backer Panel ..... 14

    HL0120 – Classic Wall Panel..... 14

    HL0130 – Accent Wall Panel ..... 15

    HL0140 – Reverse Classic Wall Panel..... 16

**NON-STRUCTURAL PARAPET SYSTEM INFORMATION AND SPECIFICATIONS:**

Additional information Nucor standard partition walls is available at the Nucor Building Systems website at the below link.

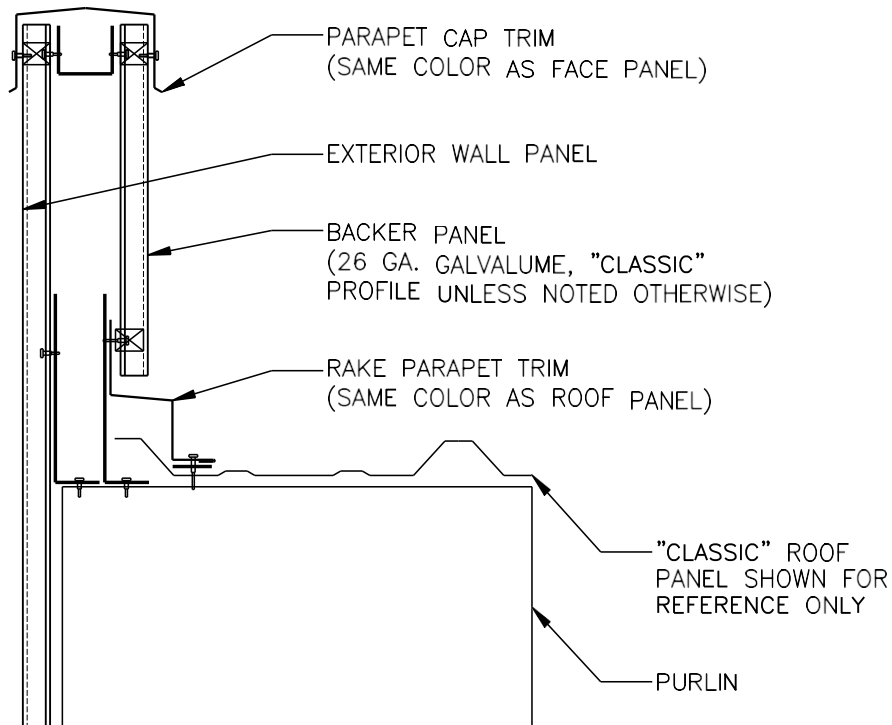
[Nucor Non-Structural Parapet](#)

The following pages provide standard Non-Structural Parapet details.

**NP0002PE - NON-STRUCTURAL PARAPET STANDARD COLOR DEFINITION**

**STANDARD COLORS FOR NON-STRUCTURAL PARAPETS**

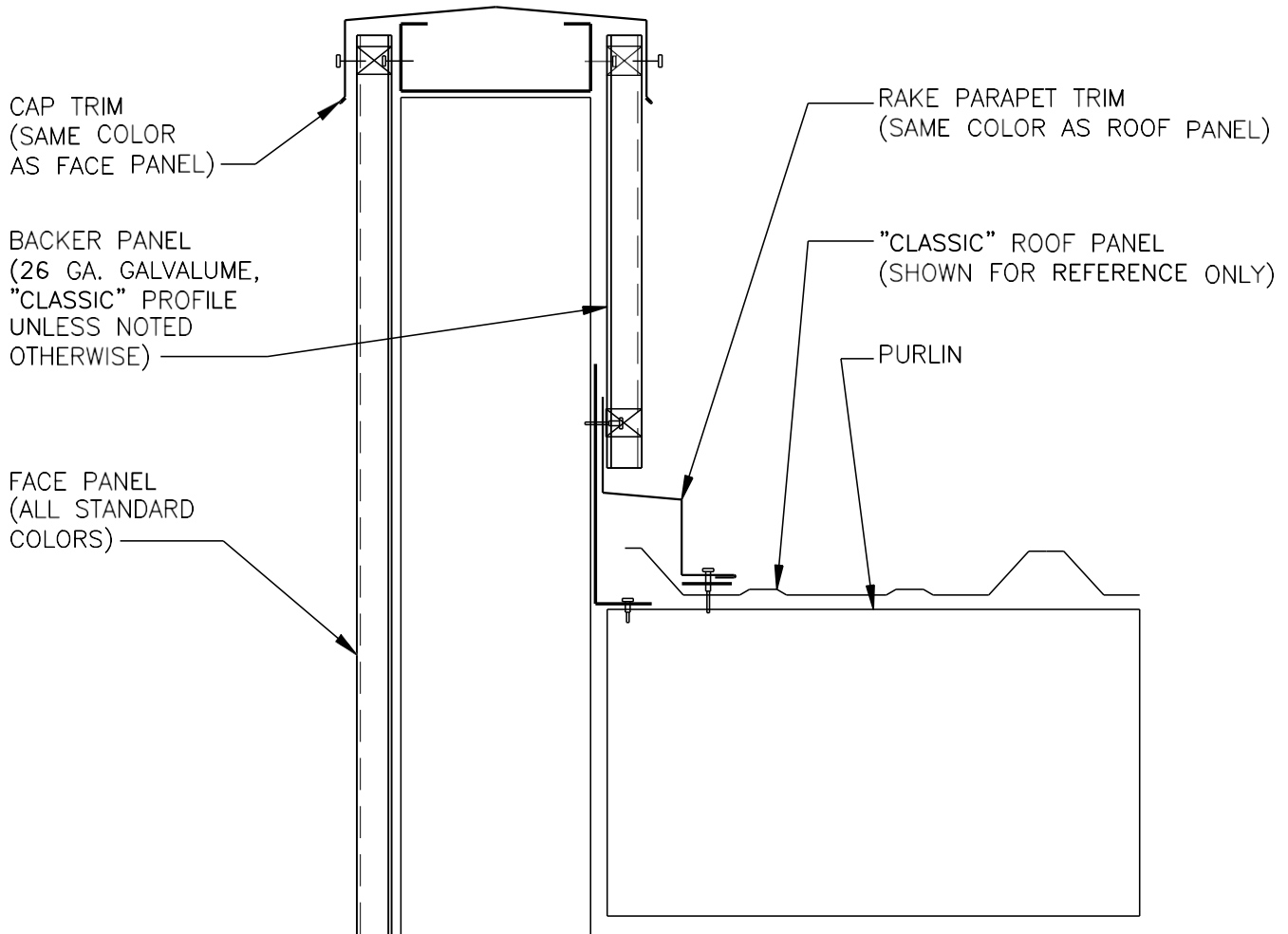
NON-STRUCT PARAPET.dwg



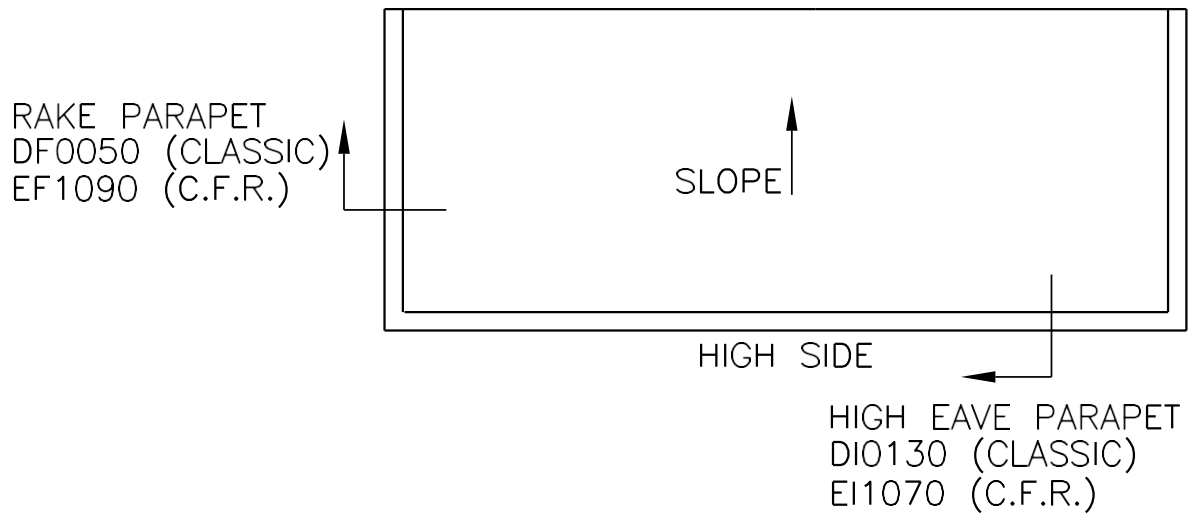
**NP0004PE - STRUCTURAL PARAPET STANDARD COLOR DEFINITION**

**STANDARD COLORS FOR STRUCTURAL PARAPETS**

STRUCTURAL PARAPET.dwg



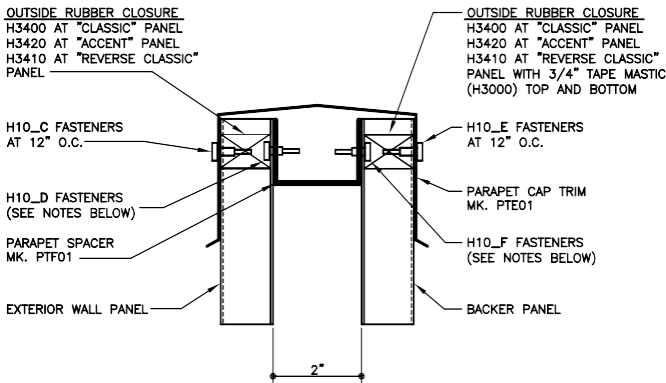
**NP0010PE – NON-STRUCTURAL PARAPET SYSTEM INFORMATION**



Allowable Non-Structural Parapet cantilever spans vary based on wind speed and exposure. Contact your engineering team for assistance.

**STANDARD NON-STRUCTURAL PARAPET TRIM DETAILS**

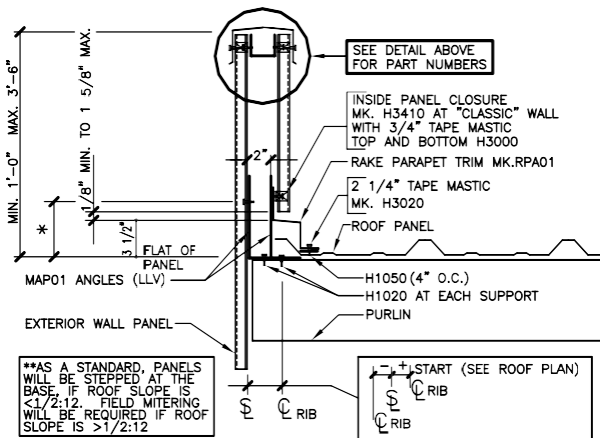
**DF0050 – NON-STRUCTURAL RAKE PARAPET W/ BACK PANEL**



**ERECTOR NOTE**  
THE H10\_G FASTENERS MUST PENETRATE THE MASTIC AND THE CLOSURES IN ORDER TO CREATE THE DESIGNED SEAL AND TO KEEP THE CLOSURES IN PLACE

**CAP TRIM INSTALLATION DETAIL**

EXTERIOR PANEL AND BACKER PANEL BY NBS  
SEE WALL SHEETING ERECTION NOTES FOR WALL PANEL FASTENER LOCATIONS  
INSULATION NOT SHOWN FOR CLARITY



**NON-STRUCTURAL RAKE PARAPET DETAIL**

"CLASSIC ROOF"  
\*: FASTENER MUST BE A MINIMUM OF 7" ABOVE THE TOP OF THE PURLIN  
SEE WALL SHEETING ERECTION NOTES FOR WALL PANEL FASTENER LOCATIONS

**RAKE PARAPET TRIM INSTALLATION DETAIL**

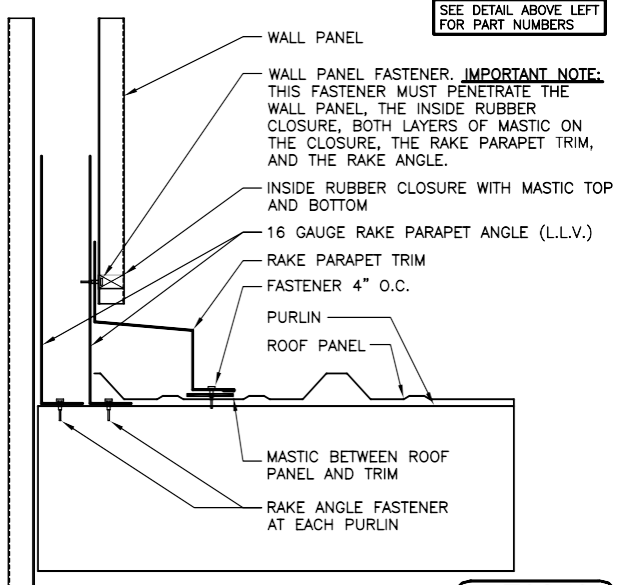
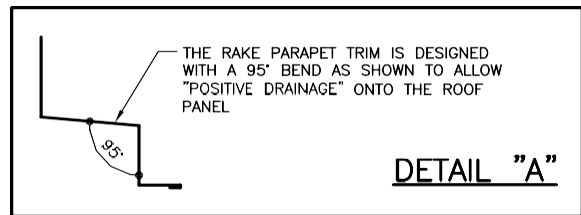
**NOTES:**  
THIS DETAIL IS TO BE USED FOR PROPER RAKE PARAPET TRIM INSTALLATION. REFER TO THE DETAILS AT LEFT FOR PART NUMBERS.

ALWAYS BEGIN THE RAKE PARAPET TRIM INSTALLATION STARTING AT THE LOW EAVE AND WORK TOWARD THE HIGH EAVE OR RIDGE.

THE RAKE PARAPET TRIM IS DESIGNED TO HAVE "POSITIVE DRAINAGE" ONTO THE ROOF. THIS IS TO HELP ALLEVIATE THE POSSIBILITY OF WATER PONDING ON THE TRIM. SEE DETAIL "A" BELOW.

FASTEN THE RAKE PARAPET TRIM TO THE ROOF PANEL AT 4" ON CENTER.

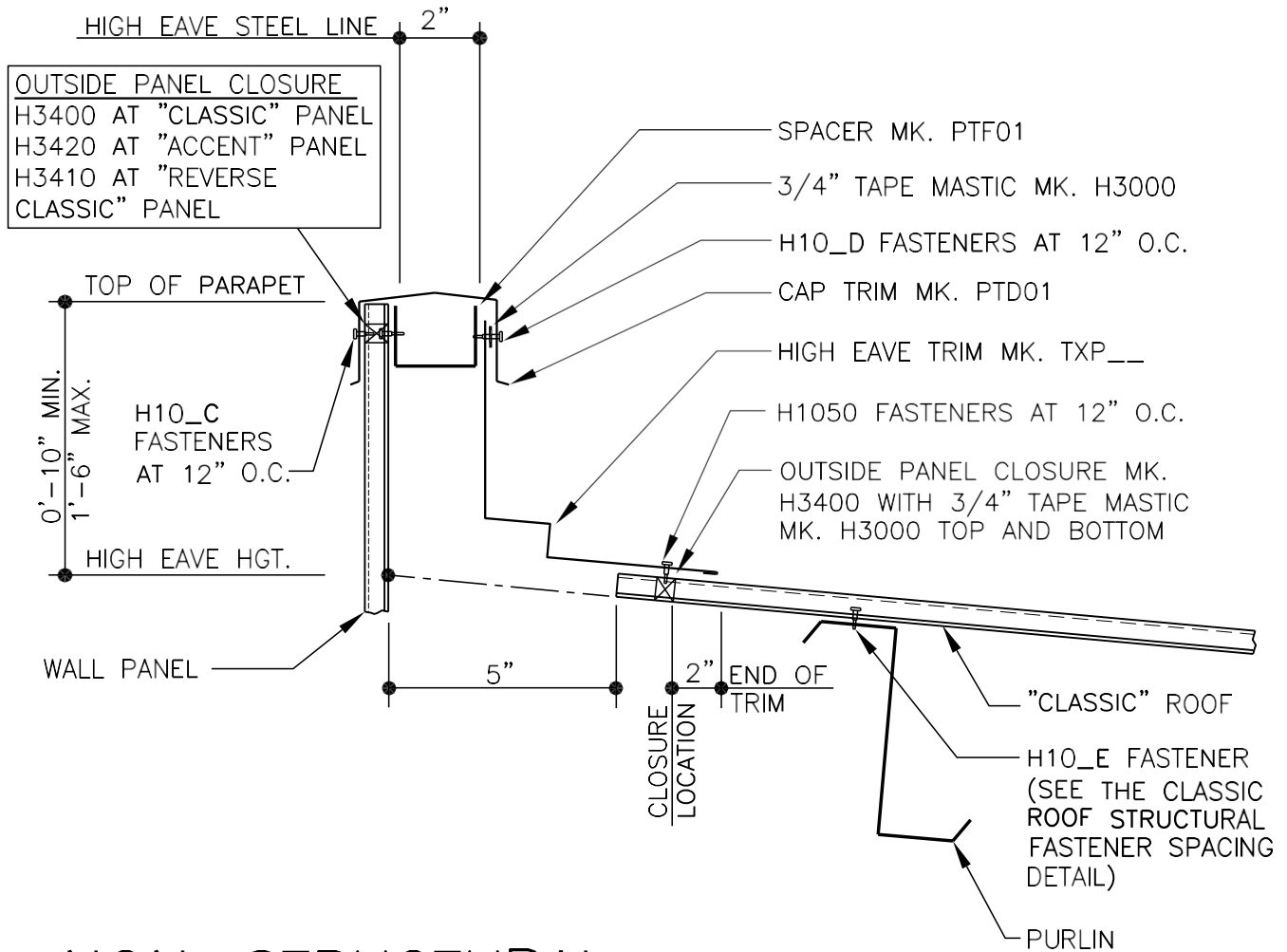
REFER TO THE CLASSIC ROOF ERECTION MANUAL FOR ADDITIONAL TRIM LAP INFORMATION AND DETAILS.



**DF0050**

**NOTE:** Some minor field work of the rake angle may be required if the minimum 10" height is held.

**DI0130 – NON-STRUCTURAL HIGH EAVE PARAPET**



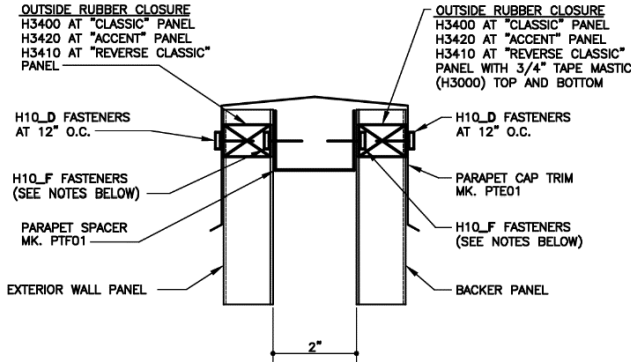
**NON-STRUCTURAL  
HIGH EAVE PARAPET DETAIL**

"CLASSIC ROOF"  
SEE WALL SHEETING ERECTION NOTES FOR WALL  
PANEL FASTENER LOCATIONS

**DI0130**

**NOTE:** Some minor field work of the rake angle may be required if the minimum 10" height is held.

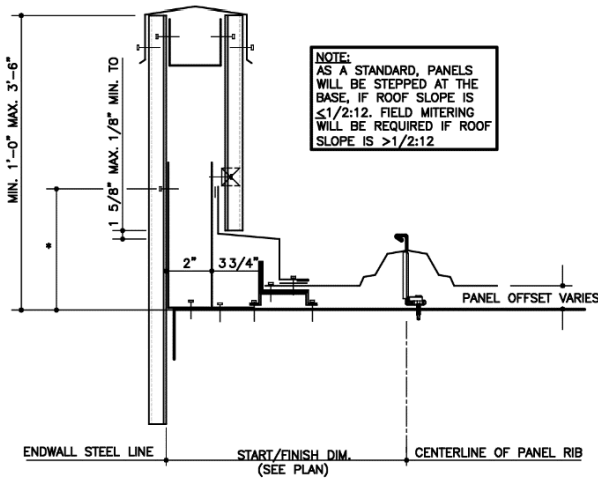
**EF6090 – NON-STRUCTURAL RAKE PARAPET W/ BACK PANEL (PURLIN)**



**ERECTOR NOTE**  
 THE H10\_D FASTENERS MUST PENETRATE THE MASTIC AND THE CLOSURES IN ORDER TO CREATE THE DESIGNED SEAL AND TO KEEP THE CLOSURES IN PLACE.

**CAP TRIM INSTALLATION DETAIL**

EXTERIOR PANEL AND BACKER PANEL BY NBS  
 SEE WALL SHEETING ERECTION NOTES FOR WALL PANEL FASTENER LOCATIONS  
 INSULATION NOT SHOWN FOR CLARITY



**RAKE PARAPET DETAIL**

"CFR" ROOF  
 \*: FASTENER MUST BE A MINIMUM OF 7" ABOVE THE TOP THE SECONDARY.  
 SEE WALL SHEETING ERECTION NOTES FOR WALL PANEL FASTENER LOCATIONS

**RAKE PARAPET TRIM INSTALLATION DETAIL**

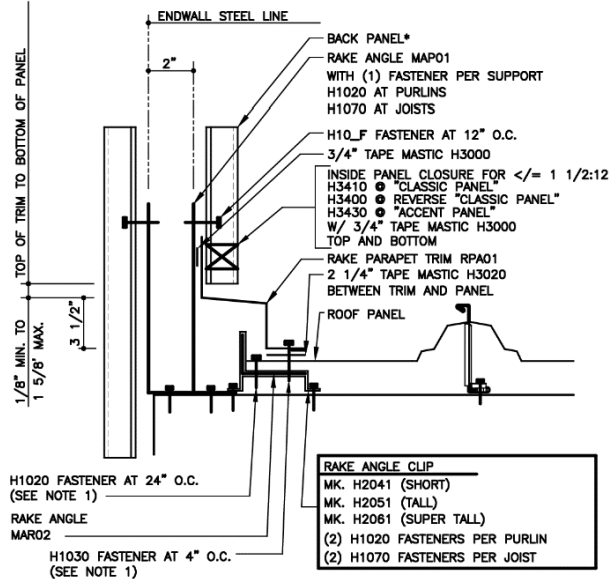
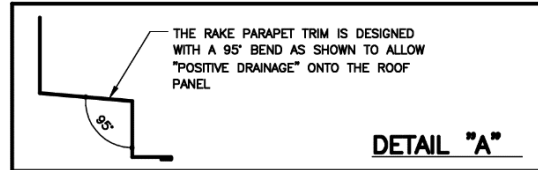
**NOTES:**  
 THIS DETAIL IS TO BE USED FOR PROPER RAKE PARAPET TRIM INSTALLATION.

**ALWAYS BEGIN THE RAKE PARAPET TRIM INSTALLATION STARTING AT THE LOW EAVE AND WORK TOWARD THE HIGH EAVE OR RIDGE.**

THE RAKE PARAPET TRIM IS DESIGNED TO HAVE "POSITIVE DRAINAGE" ONTO THE ROOF. THIS IS TO HELP ALLEVIATE THE POSSIBILITY OF WATER PONDING ON THE TRIM. SEE DETAIL "A" BELOW.

FASTEN THE RAKE PARAPET TRIM TO THE ROOF PANEL AT 4" ON CENTER, MAKING SURE THAT NO FASTENERS HIT ANY OF THE RAKE CLIP LOCATIONS. KEEP FASTENER A MINIMUM OF 2" AWAY FROM ANY RAKE CLIP.

REFER TO THE CFR ROOF ERECTION MANUAL FOR ADDITIONAL TRIM LAP INFORMATION AND DETAILS.



**NOTE 1:**  
 KEEP FASTENER A MINIMUM OF 2" AWAY FROM ANY RAKE CLIP. DO NOT FASTEN THROUGH RAKE CLIP.

**ERECTOR NOTE:**  
 DO NOT PLACE WALL FASTENERS THROUGH RAKE PARAPET TRIM

**EF6090**

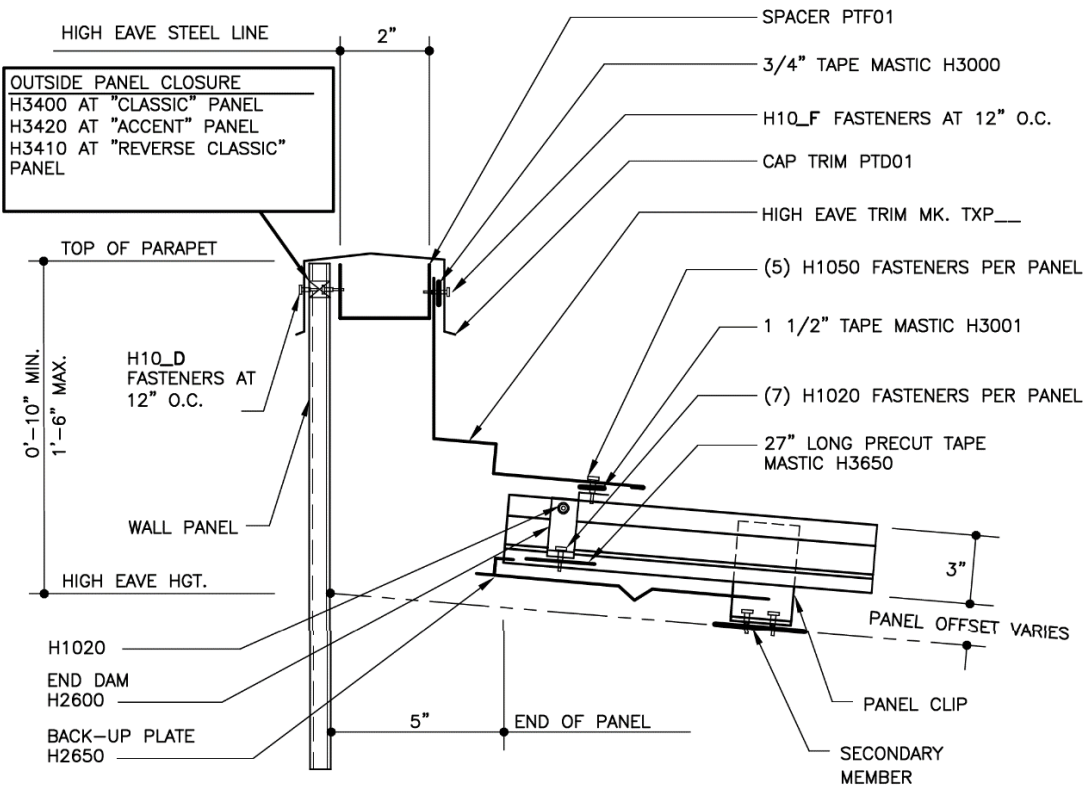
**NOTE:** Some minor field work of the rake angle may be required if the minimum 10" height is held.



**EI6070 – NON-STRUCTURAL HIGH EAVE PARAPET**

**ERECTOR NOTES:**

H1020 SCREWS & H2200 INSULATION WASHERS HAVE BEEN SUPPLIED AT 12" O.C.  
FOR INSULATION ATTACHMENT AT THE HIGH EAVE.  
FIELD NOTCH PANELS AS NEEDED TO ALLOW FOR PROPER END DAM FIT UP.

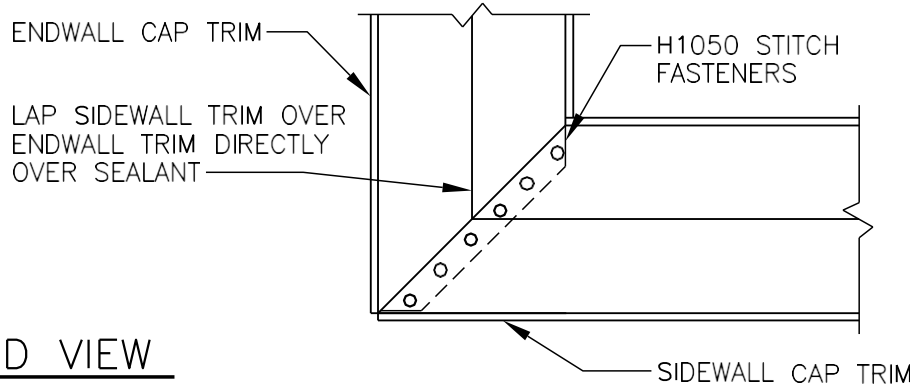


**HIGH EAVE PARAPET DETAIL**

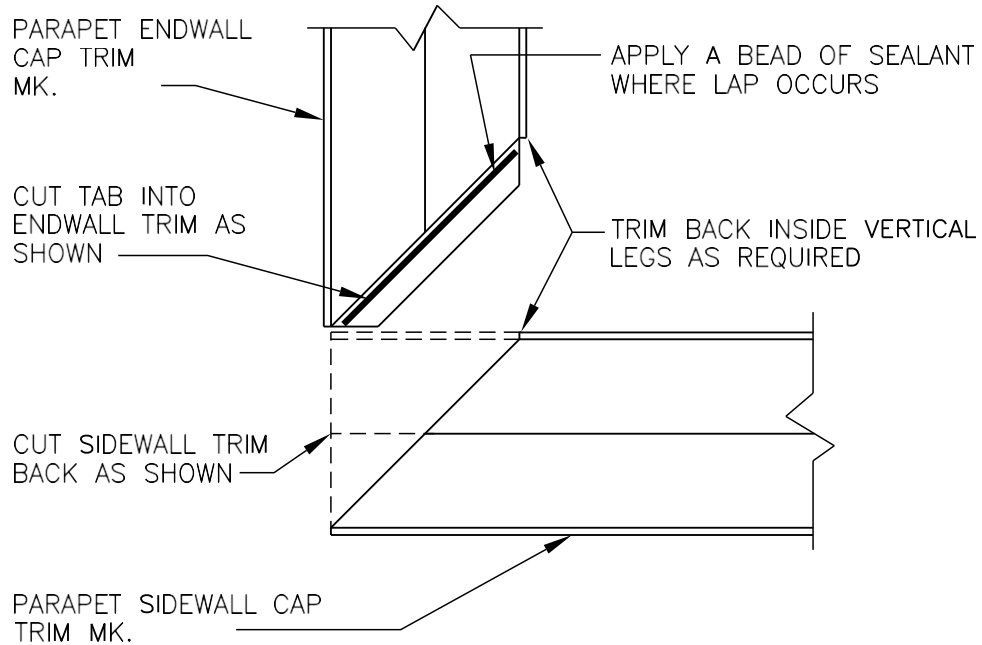
"CFR" ROOF  
SEE WALL SHEETING ERECTION NOTES FOR WALL PANEL FASTENER LOCATIONS

**EI6070**

**HL0010 – CAP TRIM AT CORNER**



**FINISHED VIEW**

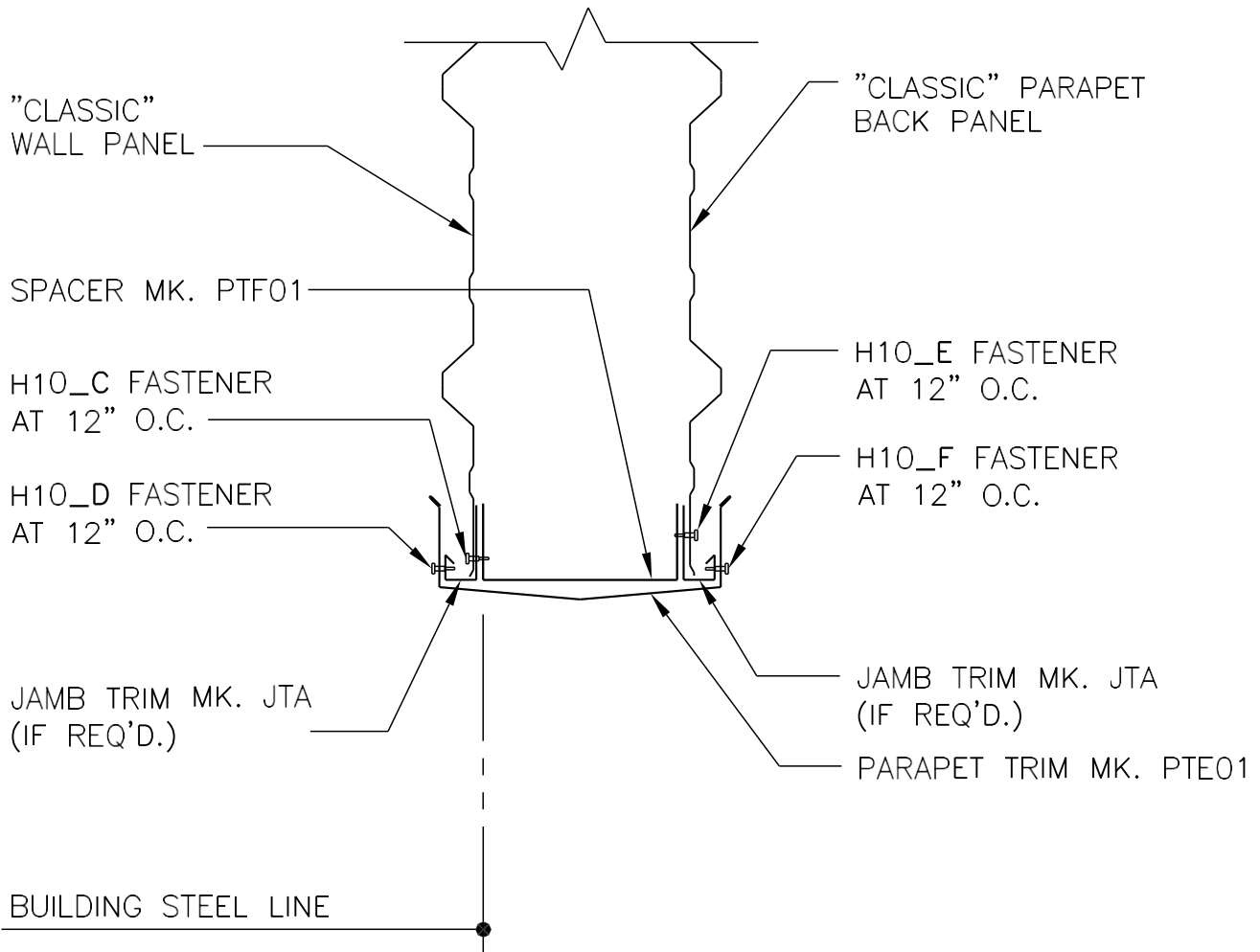


**NON-STRUCTURAL PARAPET CAP  
TRIM CORNER DETAIL**

**HL0010**

**TERMINATION DETAILS WITH BACKER PANEL**

**HL0020 – CLASSIC WALL PANEL**

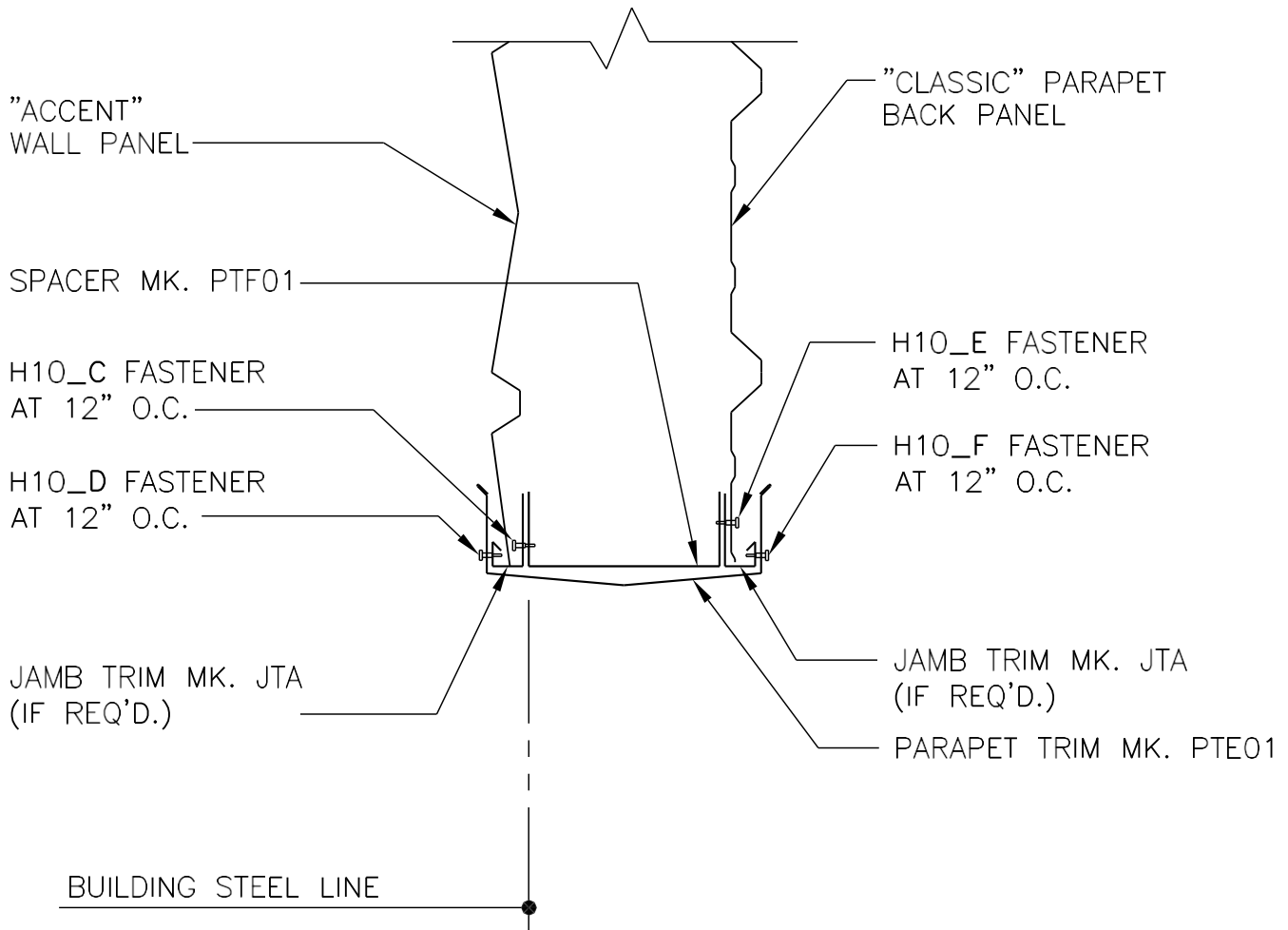


**NON-STRUCTURAL PARAPET TERMINATION**

ABOVE ROOF

**HL0020**

**HL0030 – ACCENT WALL PANEL**

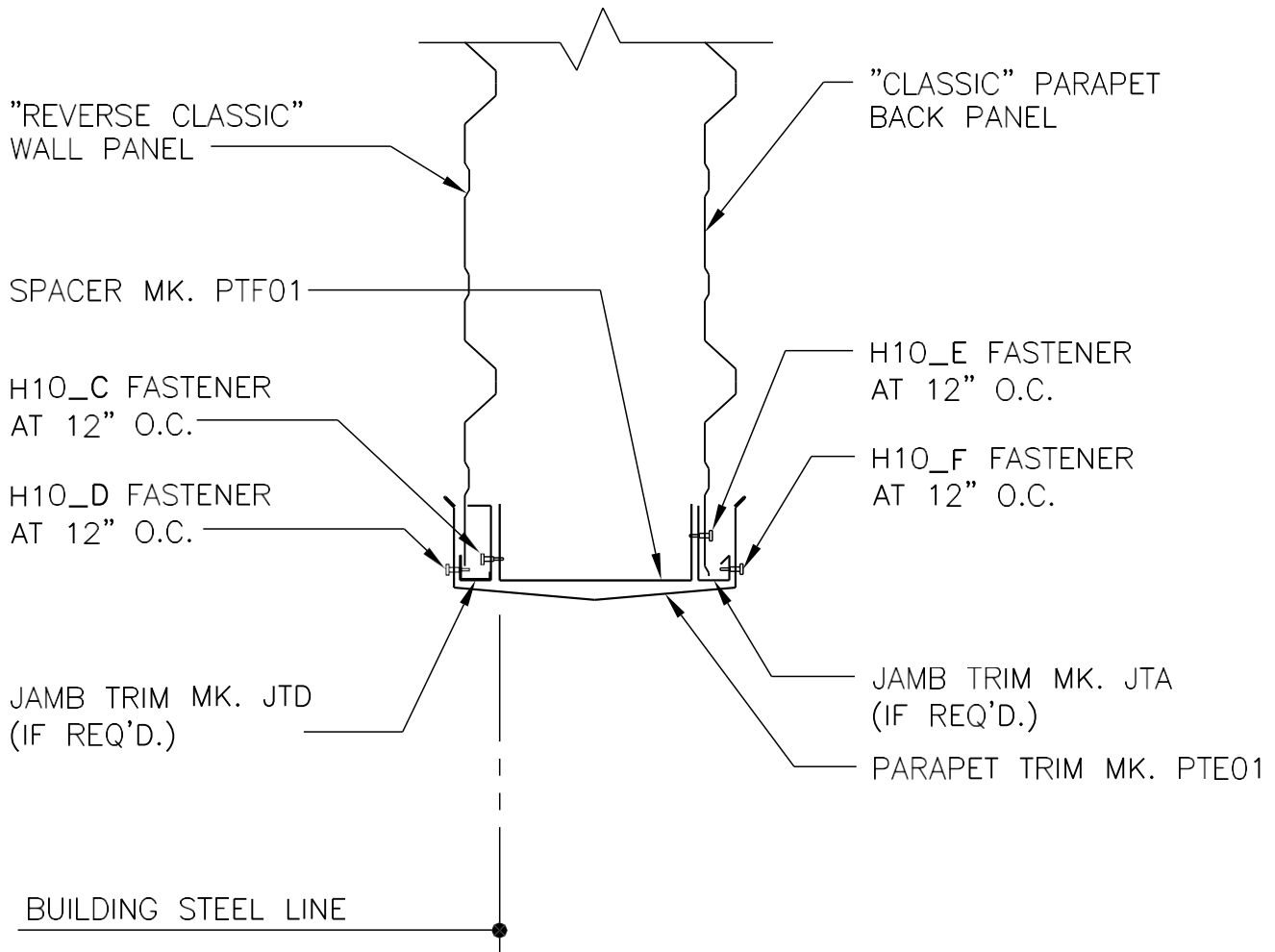


**NON-STRUCTURAL PARAPET TERMINATION**

ABOVE ROOF

**HL0030**

**HL0040 – REVERSE CLASSIC WALL PANEL**



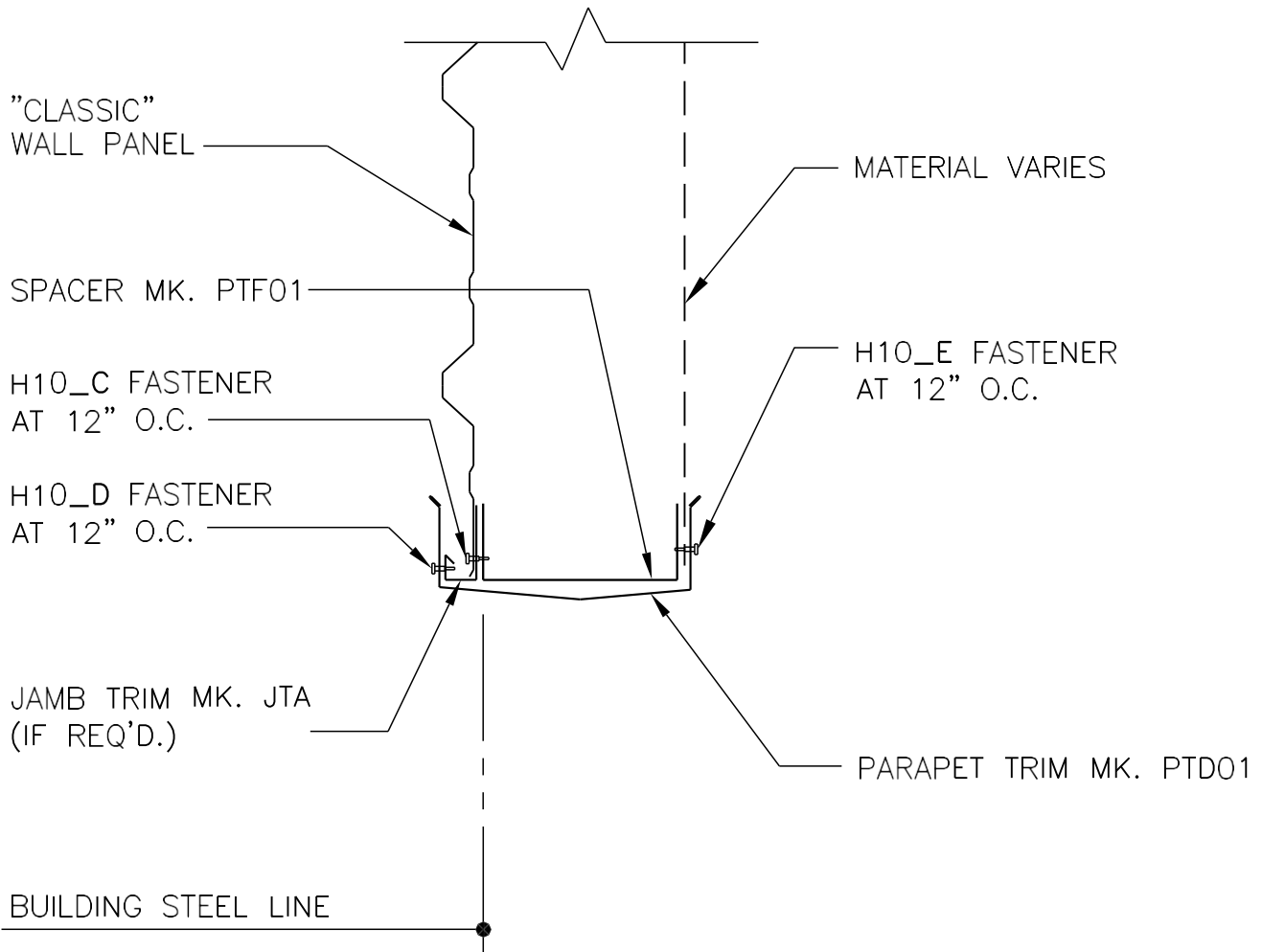
**NON-STRUCTURAL PARAPET TERMINATION**

ABOVE ROOF

**HL0040**

**TERMINATION DETAILS WITHOUT BACKER PANEL**

**HL0120 – CLASSIC WALL PANEL**

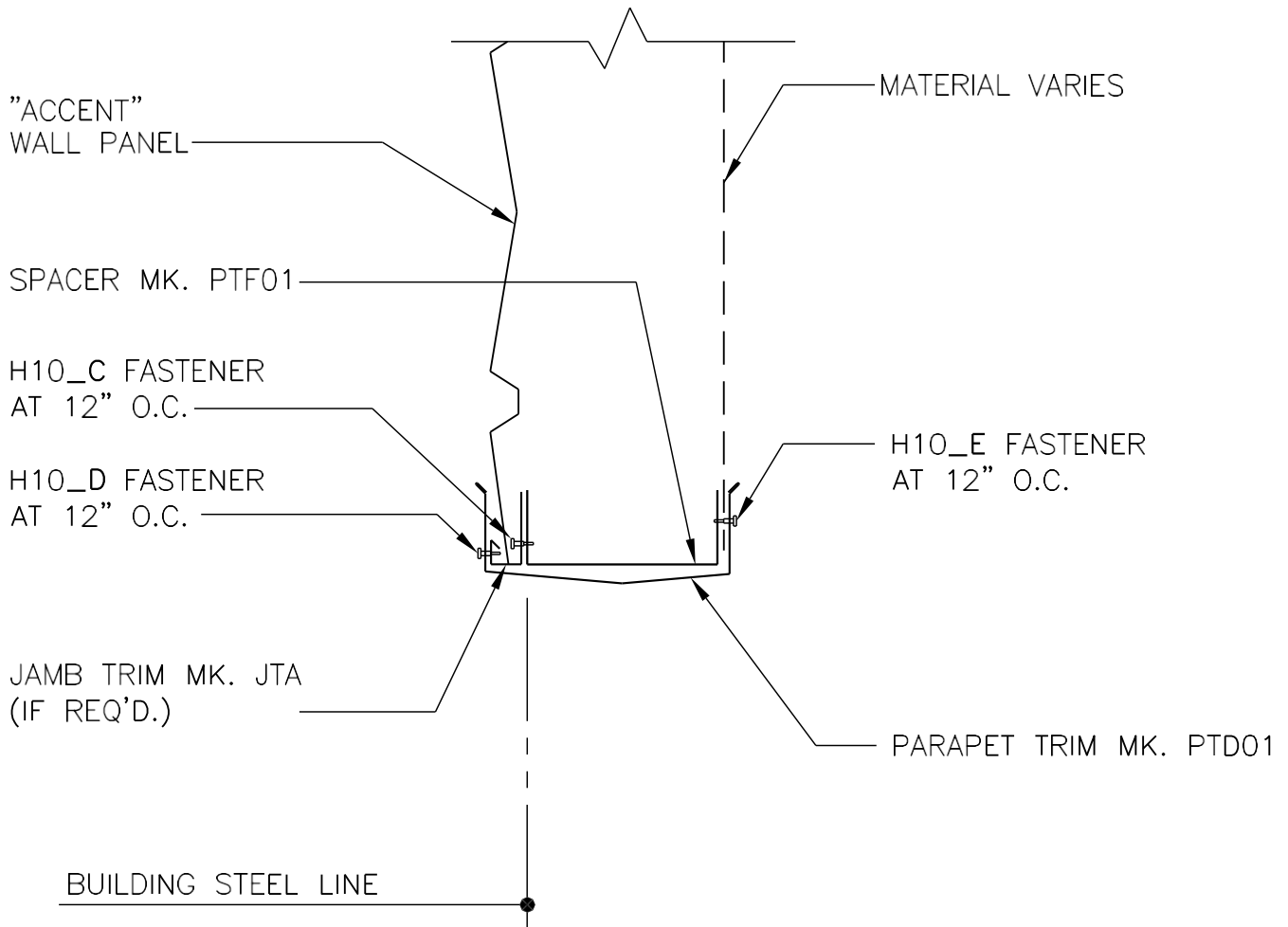


**NON-STRUCTURAL PARAPET TERMINATION**

ABOVE ROOF

**HL0120**

**HL0130 – ACCENT WALL PANEL**

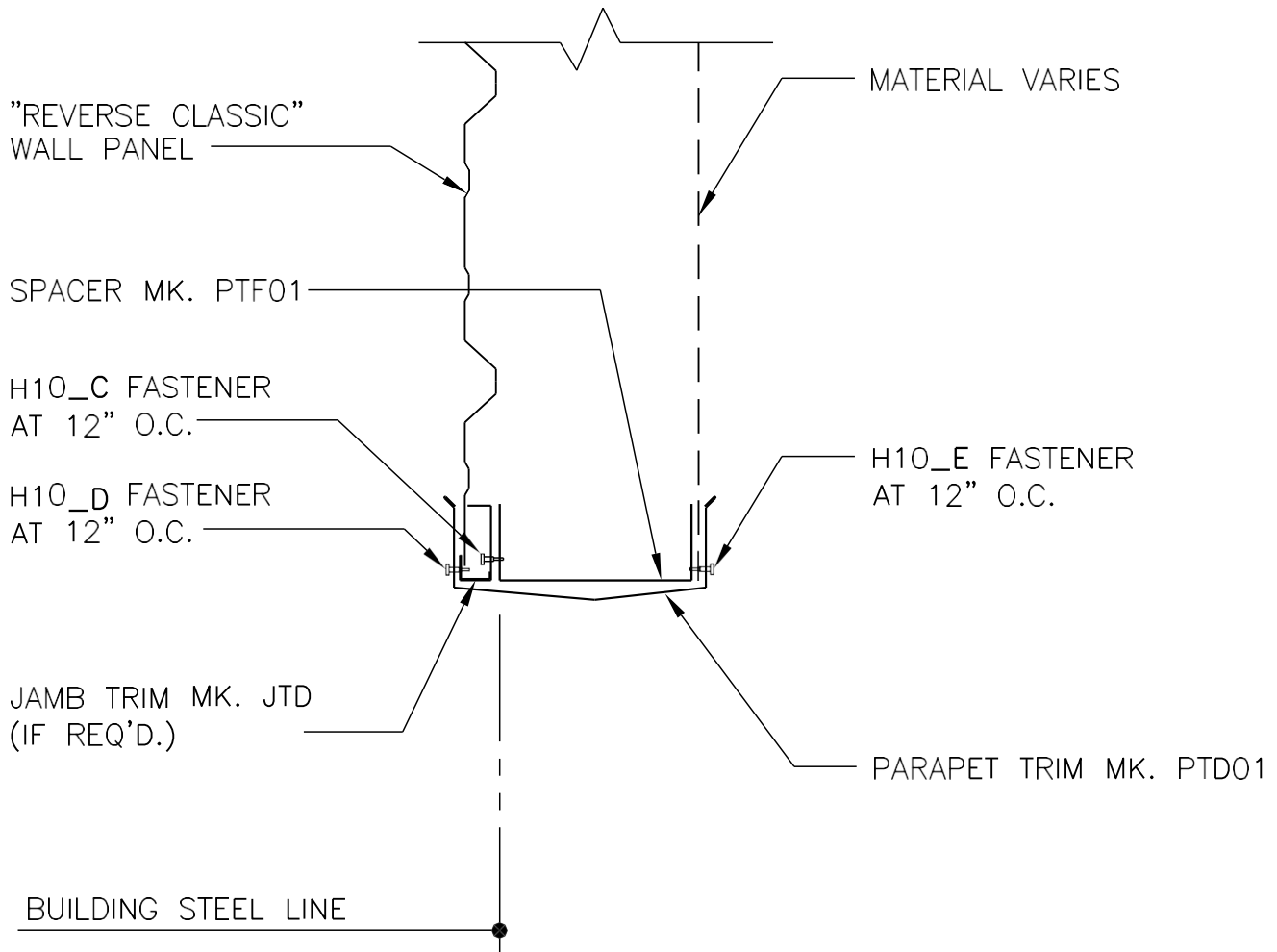


**NON-STRUCTURAL PARAPET TERMINATION**

ABOVE ROOF

**HL0130**

**HL0140 – REVERSE CLASSIC WALL PANEL**



**NON-STRUCTURAL PARAPET TERMINATION**

ABOVE ROOF

**HL0140**